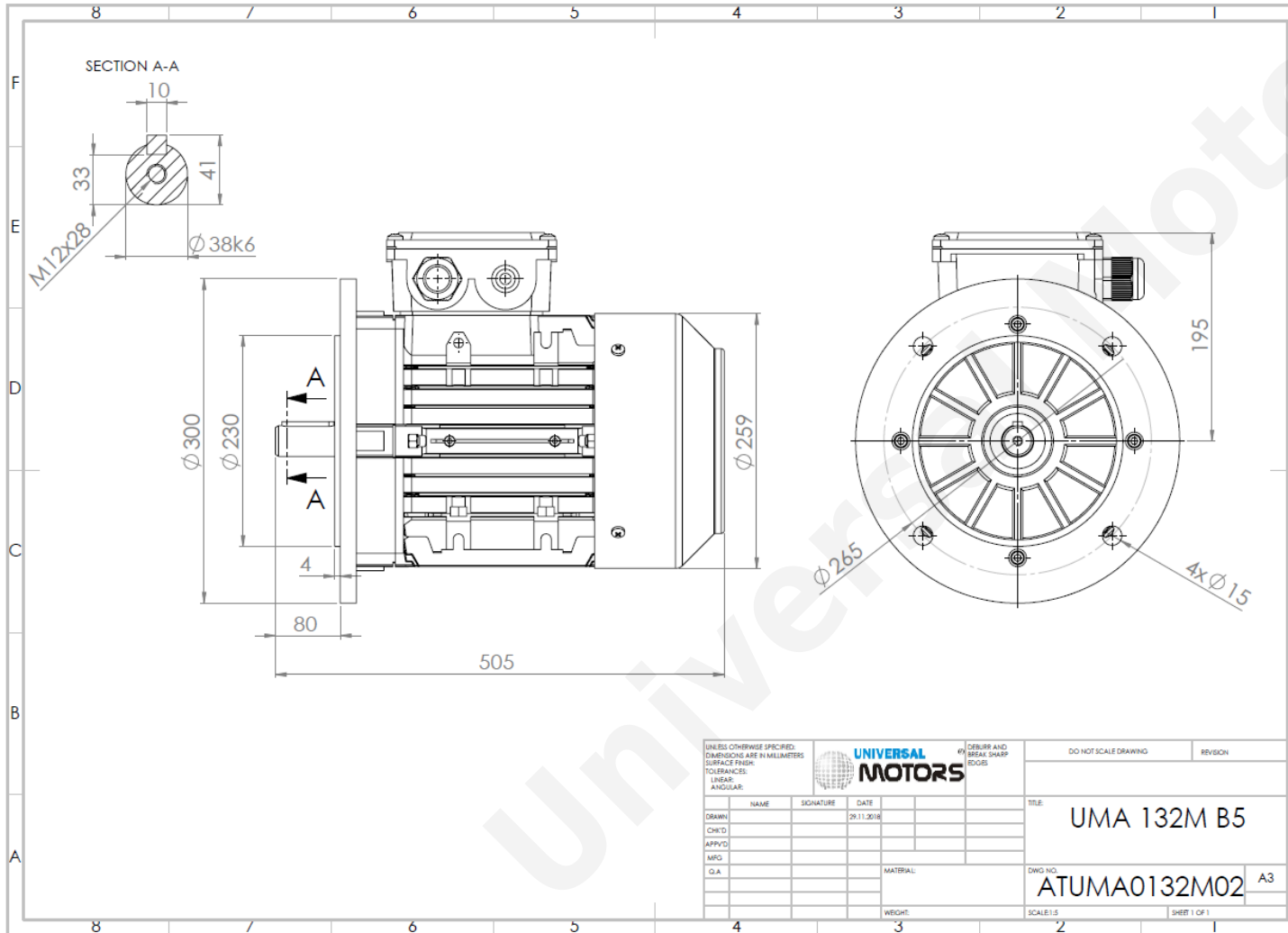




TECHNICAL DATA

Three Phase Electric Motors - Aluminum Frame
 UM3A 132M3-6 IE3
 7.5 kW / 10 Cv
 970 RPM



Motor type:	UM3A 132M3-6 IE3
Output:	7.5 kW / 10 Cv
Speed (min ⁻¹):	970 RPM
Frequency:	50 Hz
Voltage:	400 V
Current:	16.90 A
Power factor (Cos Ø):	0.72
Poles:	6
Insulation class:	F
Temperature rise Class:	B
Efficiency 50%:	88.6 %
Efficiency 75%:	89.6 %
Efficiency 100%:	89.1 %
Torque:	74 N.m
Tstarting/Tnominal:	3.3
Istarting/Inominal:	8.3
Tmaximum/Tnominal:	3.2
Noise:	68 Db(A)
Weight:	67.6 Kg
Brake AC:	AC7
Torque Brake DC:	80 N.m
Bearing DE:	6308 2Z
Bearing NDE:	6208 2Z
Torque Brake AC:	90 N.m
Brake DC:	REB-05-16

UNLESS OTHERWISE SPECIFIED, DIMENSIONS ARE IN MILLIMETERS			UNIVERSAL MOTORS	DEBURR AND BREAK SHARP EDGES	DO NOT SCALE DRAWING	REVISION
SURFACE FINISH: TOLERANCES: LINEAR: ANGULAR:						
DRAWN	NAME	SIGNATURE	DATE	TITLE: UMA 132M B5		
CHK'D			29.11.2016	DWG NO: ATUMA0132M02 A3		
APP'VD				SCALE: 1:1 SHEET 1 OF 1		
MFG				MATERIAL:		
Q.A.				WEIGHT:		

Regime - S1

Altitude - 1000m

Environment Temperature - 40°C

CONTACTS:

UNIVERSAL MOTORS Tel: +351 252 299 080
 Rua de São Brás, 745 Fax: +351 252 299 089
 4480-782 VILA DO CONDE Mail: geral@universalmotors.pt

* References applied only in the UK